

STACK

Road to **STANDARD** flexibility

OLCI
ENGINEERING

A MEMBER OF EFORT GROUP

GENERAL INDUSTRY

▶ SHAPE YOUR IDEAS

Compose your robotic cell

Thanks to the precious experience acquired and the innate attention to the needs of the Customers, O.L.C.I. Engineering S.r.l. can now further facilitate each production process.

The mission that has guided O.L.C.I. Engineering S.r.l. since its inception, and which still represents it, is to find continuous innovative solutions that perfectly match customer expectations, giving life to a new process of flexible standardization.

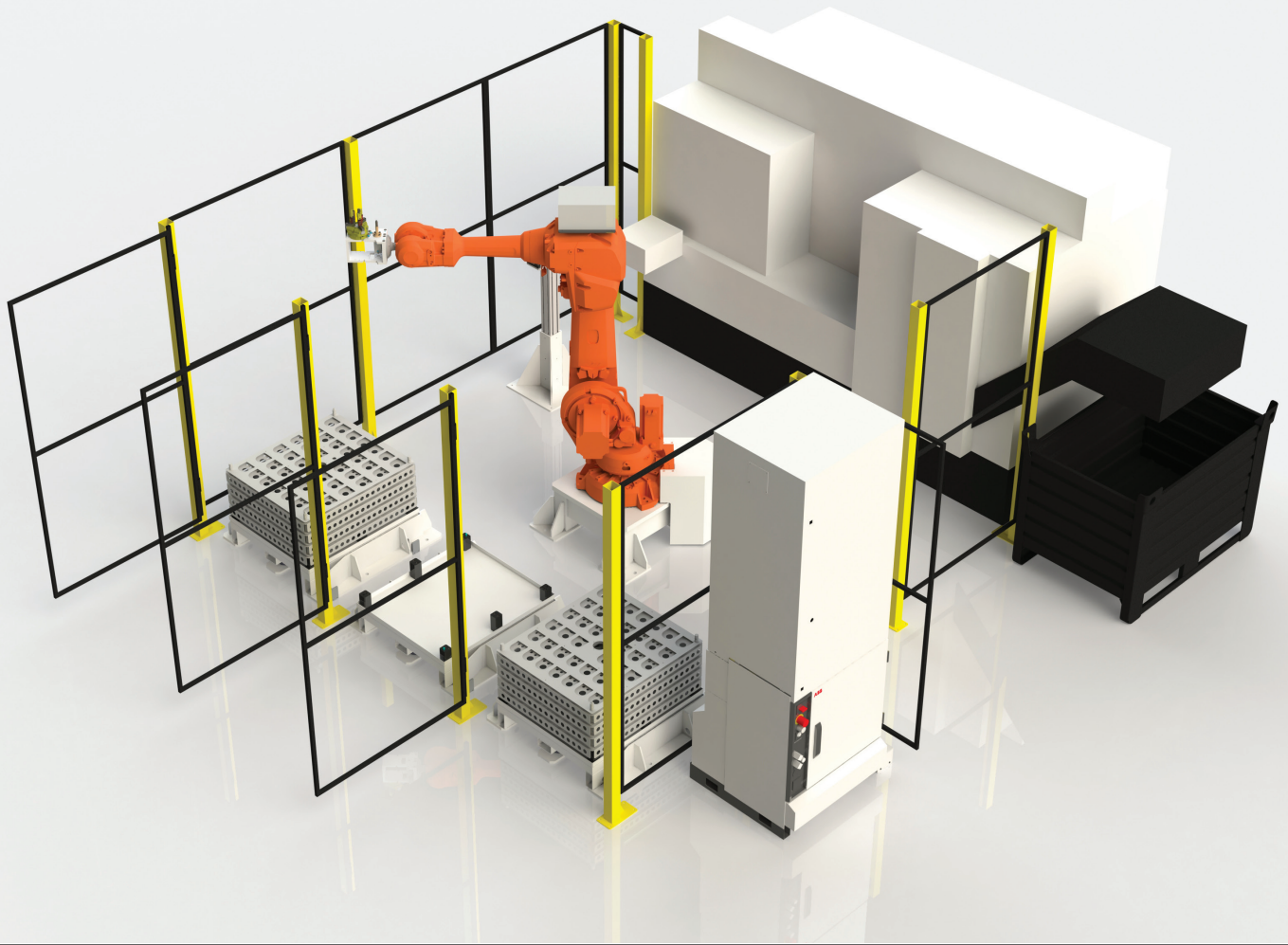
“The **FUTURE** is closer than you **THINK**”

Main characteristics

STACK

▶ Road to standard flexibility

- Serving cell suitable for the automation of loading and unloading operations relating to different machining processes (turning, milling, grinding, tothing, etc.);
- Possibility of multi-machine enslavement;
- Possibility of using the main robot brands on the market (ABB, FANUC, KUKA, etc.);
- Usable tray / pallet dimensions:
680 x 780 mm, 704 x 804 mm;
- High load capacity, with weight of the part being handled by the Robot up to 30 kg.
- High degree of autonomy of non-supervision of the plant by the operator;
- Operator accessibility to machine tools in total ergonomics and safety, for set-up operations, sampling, etc.;



Main characteristics

High degree of customization to satisfy multiple and diversified production needs, with the possibility of integrating additional peripherals.

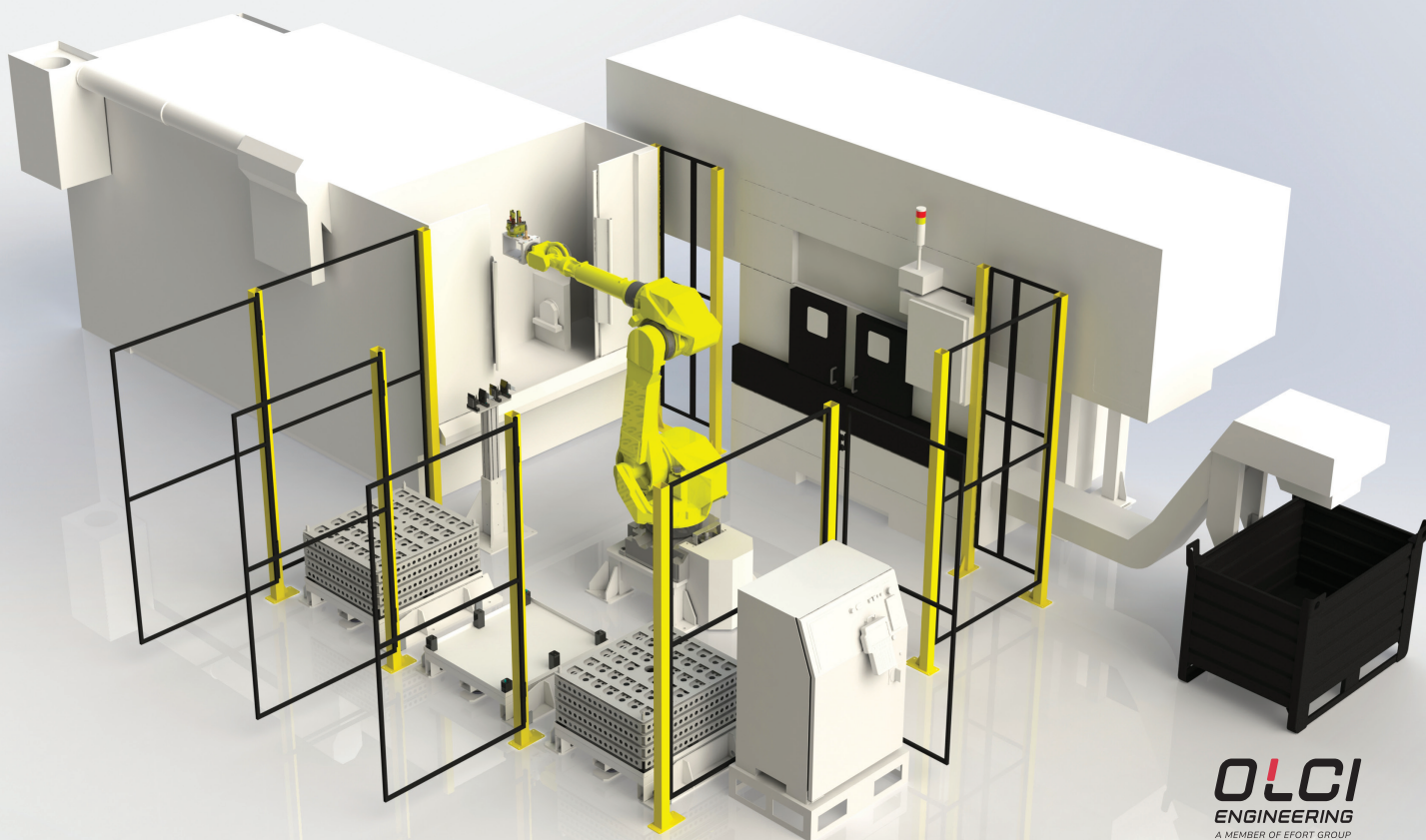
- Adequacy to the latest and highest safety standards dictated by the Machinery Directive;
- User friendly user interface;
- Possibility of construction, in complete autonomy by the Customer, of pallets and plates for housing pieces on the basis of the technical solution identified by the technical specialists O.L.C.I. Engineering S.r.l.;
- Drastic reduction of set-up times;
- High level of system cleanliness thanks to the dry-cell grating flooring;
- Predisposition for remote connection and “Graphic Remote Control O.L.C.I. Engineering S.r.l.” remote assistance service;
- Full compatibility with the requirements dictated by the “National Industry 4.0 Plan”;
- Personalized training plan, held by highly specialized O.L.C.I. Engineering S.r.l. personnel;
- Possibility to take advantage of all the advantages deriving from O.L.C.I. Engineering S.r.l. Cares services.

STACK

Basic

- 6-axis anthropomorphic robot with a wrist range between 60 and 70 kg, depending on the brand chosen by the customer;
- Base for fixing and supporting the robot;
- Single gripper gripping system;
- Intermediate piece support station;
- Nr. 2/3 Set of fixed references on the ground for centering the pallet positions;
- Accident prevention fencing system, complete with perimeter panels and interlocked access/service gates;
- Electric equipment;
- Study, design, assembly, wiring, programming and pre-testing at the O.L.C.I. Engineering S.r.l. factory;
- Installation, commissioning and testing at the Customer's plant;
- CE certification Annex IIA;

BASIC package

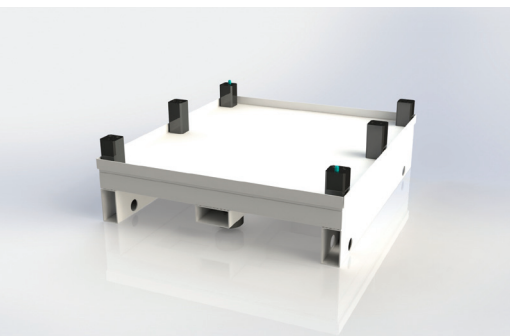


STACK

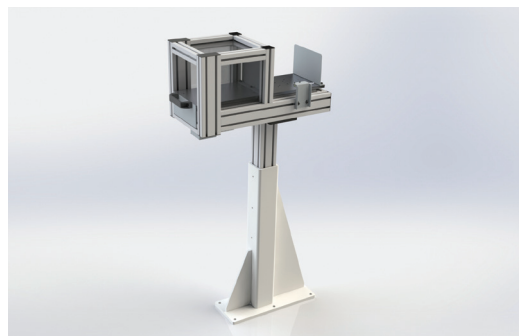
Built by you

- Upgrade to double gripper system;
- Additional intermediate piece support station;
- Piece blowing box;
- Manual drawer for extraction of details for quality control;
- Ground bases for housing the stacks of pallets;
- Pallets and related customizations for the positioning of the parts in the cell feeding and unloading;
- Trailerable platform for placing the entire cell;
- Synoptic for supervision and monitoring of the robotic cell;
- CE certification Annex IIA;
- Adaptation of the robotic cell to comply with the minimum requirements relating to the enabling technologies provided for by the “National Industry 4.0 Plan”;
- “O.L.C.I. Engineering S.r.l. cares” services (remote assistance, etc.);
- Training plans tailored to customer needs;
- Any specific options evaluated in collaboration with our specialists.

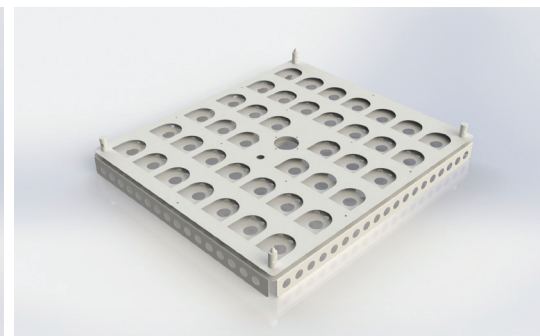
Optional BUILT BY YOU



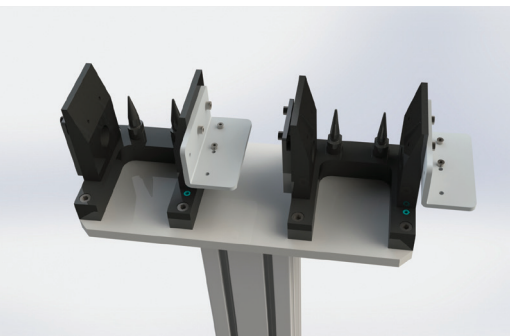
Pallet Base



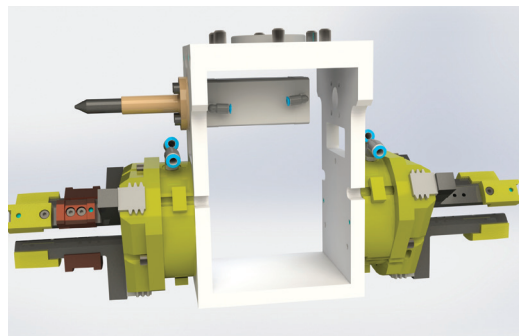
Drawer



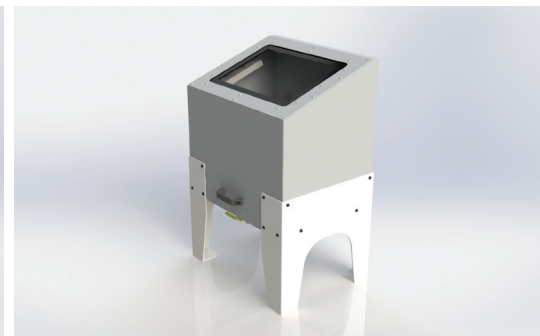
Pallet



Support station



Double gripper



Blowing station

OLCI
ENGINEERING
A MEMBER OF EFORT GROUP

O.L.C.I. Engineering S.r.l.

Italy | 25045 Castegnato (Bs)
Via Padana Superiore, 111/A
T. +39 030 2141193

info@olcieng.eu
www.olcieng.eu

